

## TC SERIES

Provides surge protection against harmful transient voltages that exceed the nominal operating voltage of AC and DC critical dedicated control loads.

Ideal for protecting the PLC's, Building management systems, OEM & systems Integration controls and other microprocessor-based loads

### DESIGN FEATURES

- Compact, fail-safe design allows flexible installation into electrical/control panels
- Individually fused MOV Technology for maximum safety
- Solid-state all mode bi-directional protection
- Enhanced Transient Filter (ETF) to remove low level transients and noise
- 15-year Unlimited Free Replacement Warranty

### PERFORMANCE

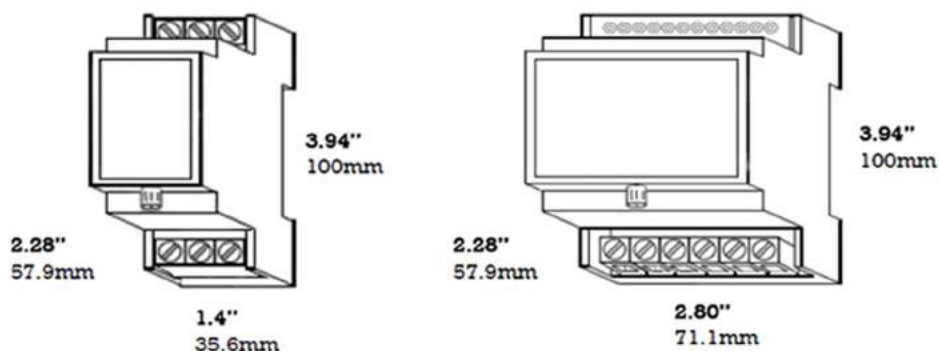
- Surge currents per phase (Imax): 15Amp-30kA & 30Amp-50kA
- ANSI/IEEE C62.41, C62.45;
- UL1449 3rd Edition and under UL1283 as an electromagnetic filter;
- Regulatory Listings: ETL regonized component
- Filter Mil Spec 220B; CE marked
- Discreet All mode protection: L-G, L-N, N-G, OR L1-G, L2-G, and L1-L2
- Maximum Continuous Operating Current: 15A; 30A
- Green LED indicators to show product is operational
- 100kAIC short circuit current rating with a 15 amp max fuse
- Operating frequency: 47-64Hz; Operating temperature: -40C to +70C
- Non-condensing Humidity: 5% to 95%
- Connection Method: Hard-wired via box terminals #22AWG - #14 AWG
- Enclosure: ABS Plastic UL94-5VA
- Mounting Method: Screw down or DIN rail
- Size: 15A: 3.94"H x 1.40"W x 2.28"D; 30A: 3.94"H x 2.80"W x 2.28"D
- Weight: 1lb/.45kg
- (Option: to order without Enhanced Transient Filter add NC to suffix of



### TC SERIES PERFORMANCE SPECIFICATIONS

Model Number	Modes	Measured Limiting Voltage		
		A1 Ringwave 2kV/67A	A3 Ringwave 6kV/200A	B3/C1 Impulse Wave 6kV/3kA
GS-TC24-DIN-15A 5-30VAC; 5-30VDC 15Amp 30kA	L - N	55	85	175
	L - G	50	85	170
	N - G	50	85	170
GS-TC48-DIN-15A 25-50VAC; 24-65VDC 15Amp 30kA	L - N	55	120	200
	L - G	50	110	195
	N - G	50	110	195
GS-TC120-DIN-15A 48-150VAC; 48-200VDC 15Amp 30kA	L - N	90	200	480
	L - G	55	200	435
	N - G	55	130	435
GS-TC240-DIN-15A 120-275VAC; 120-300VDC 15Amp 30kA	L - N	180	325	780
	L - G	65	250	730
	N - G	65	250	720
GS-TC120-DIN-30A 48-150VAC; 48-200VDC 30Amp 50kA	L - N	90	200	485
	L - G	55	130	430
	N - G	55	130	430
GS-TC240-DIN-30A 120-300VAC/VDC 30Amp 50kA	L - N	180	325	780
	L - G	60	250	720
	N - G	60	250	720

### ALL MEASUREMENTS IN INCHES (MM)



We are constantly seeking to improve our products and specifications are subject to change at any time.